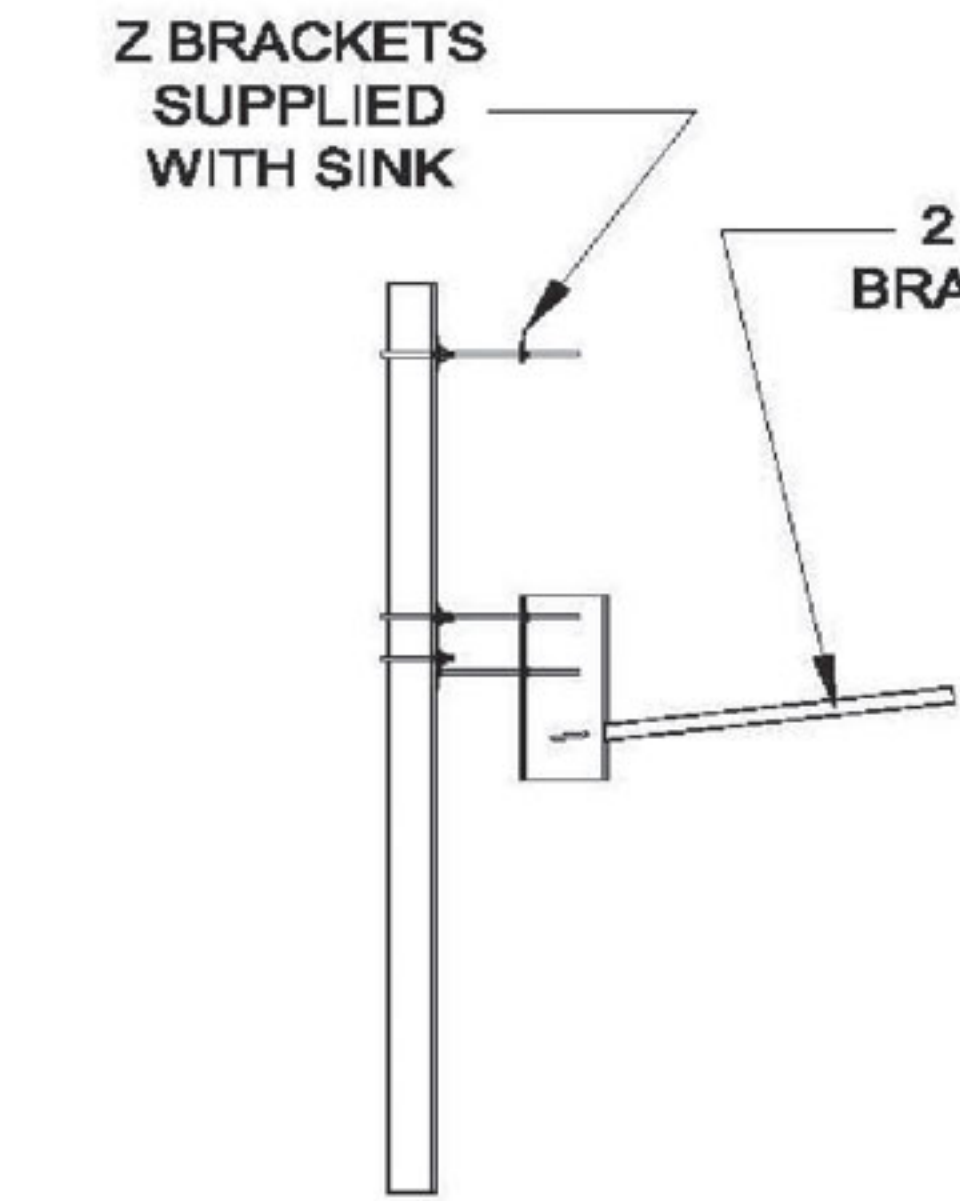
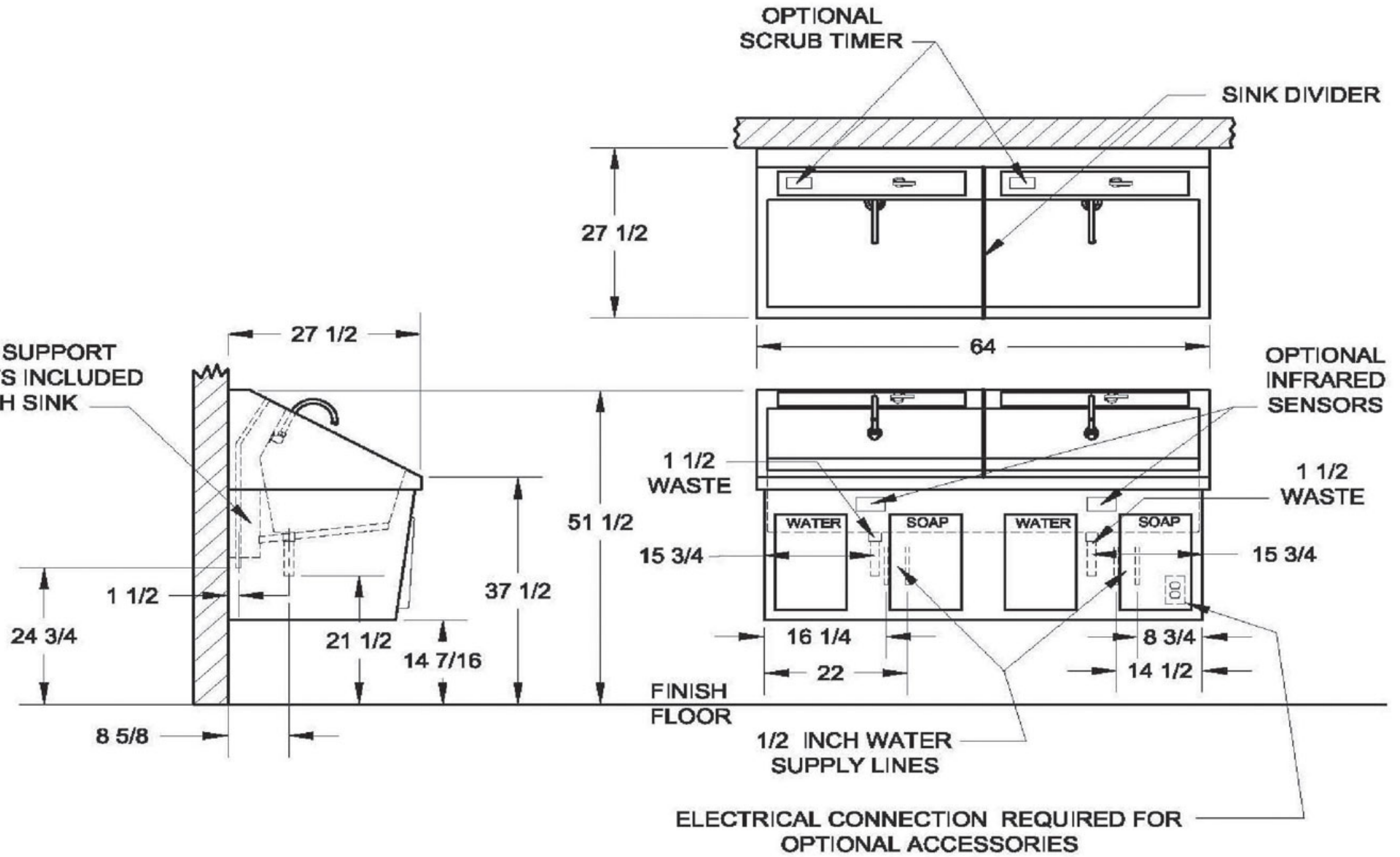


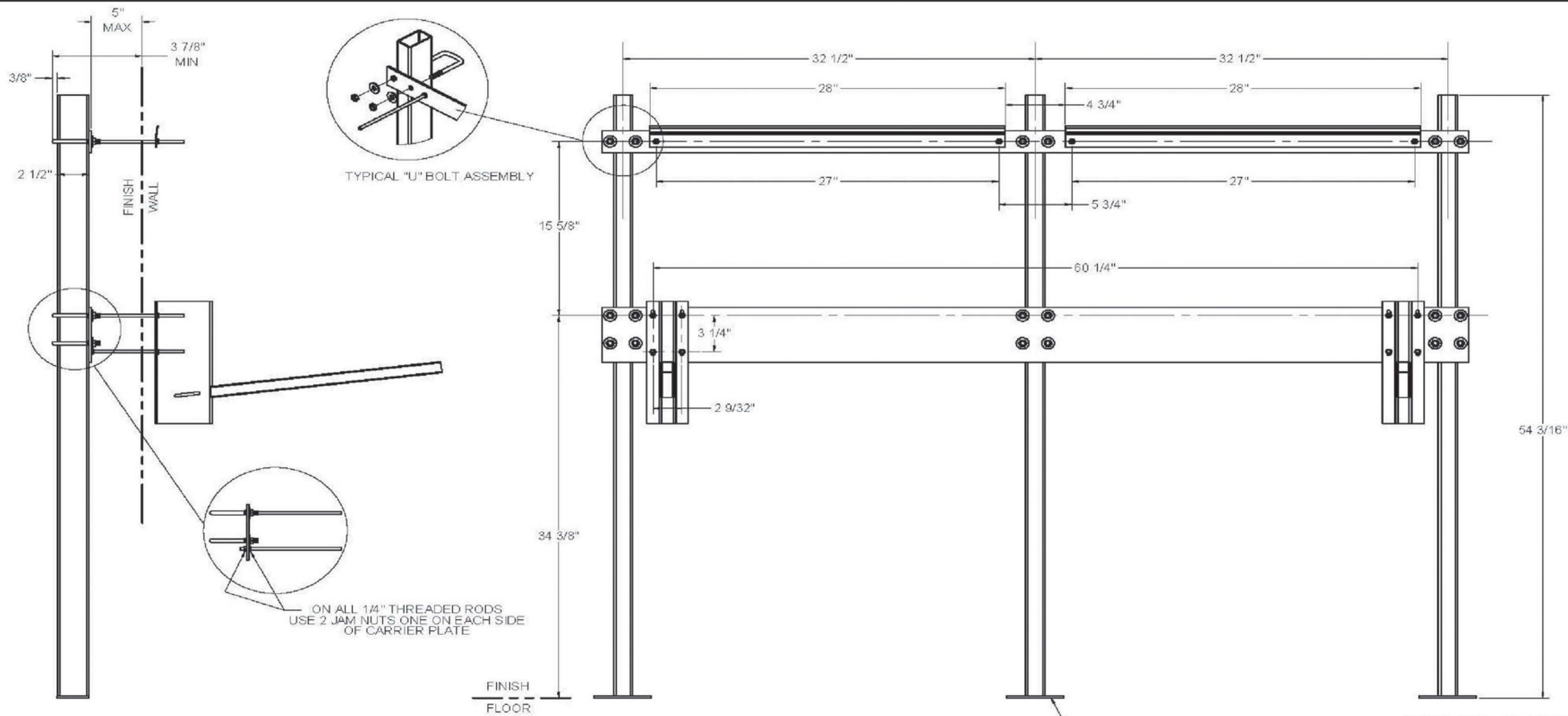


FUTURE HEALTH
CONCEPTS, INC
1211 E. 30TH ST
SANFORD, FL 32773
(800) 282-8644
(407) 322-3672 DIRECT
(407) 322-3871 FAX
WWW.FHCUSA.COM



OPTIONAL IN WALL CHAIR CARRIER SYSTEM.



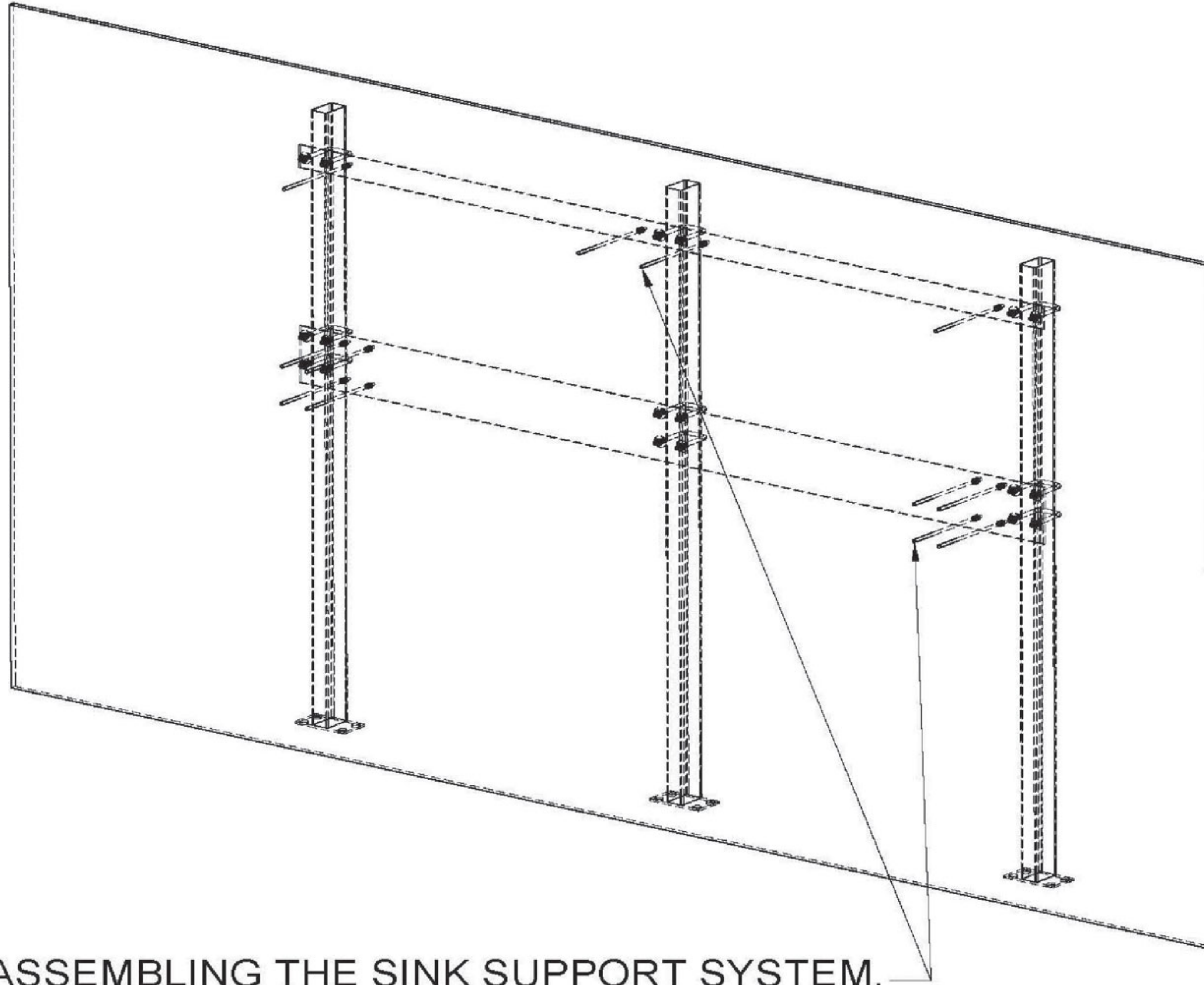


FUTURE HEALTH
CONCEPTS, INC
1211 E. 30TH ST
SANFORD, FL 32773
(800) 282-8644
(407) 322-3672 DIRECT
(407) 322-3871 FAX
WWW.FHCUSA.COM

OPERATE TO AND BECAUSE OF THE BED OR OTHER EQUIPMENT WITHOUT THE EXPRESS PERMISSION OF FHC MEDICAL.



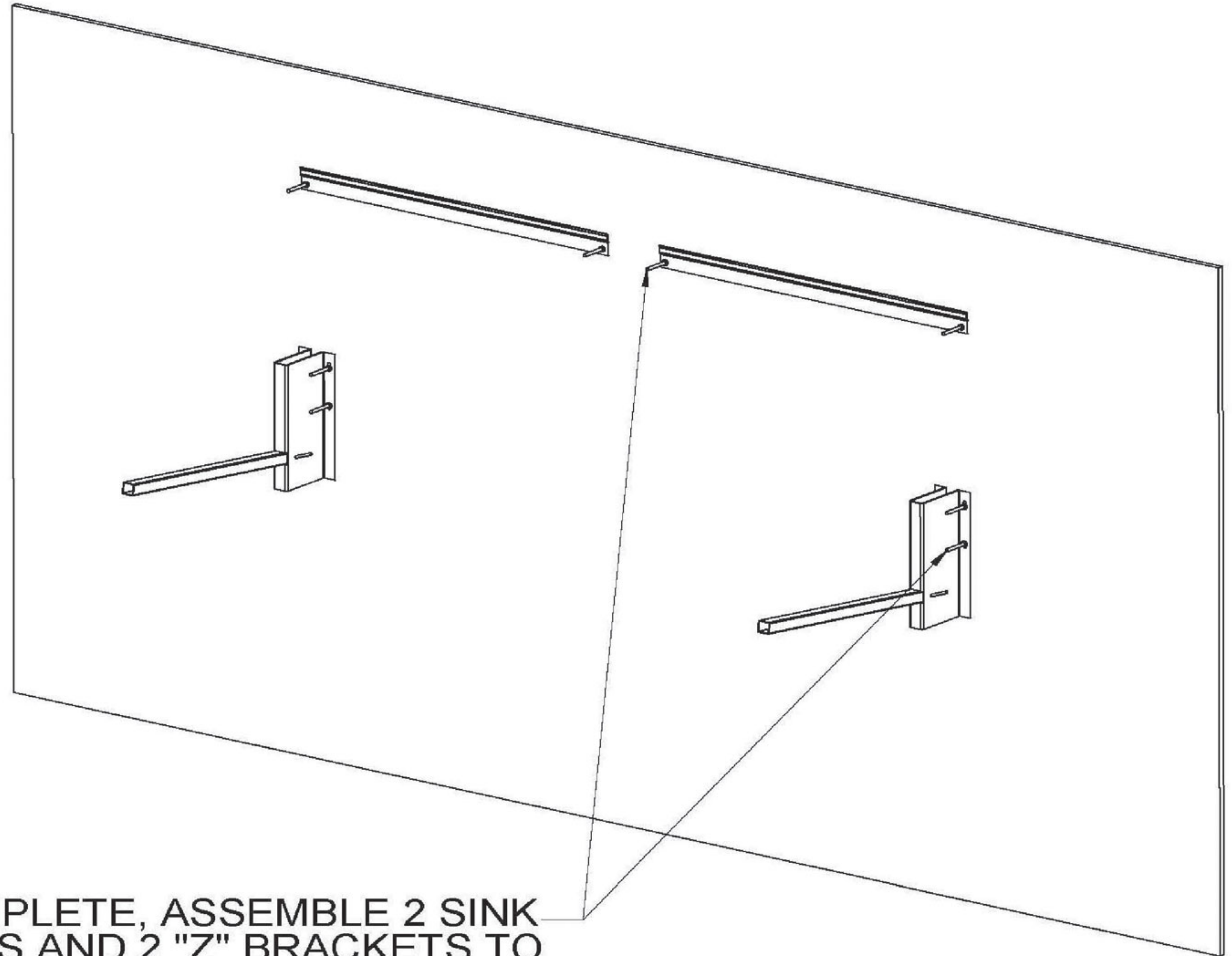
FUTURE HEALTH
CONCEPTS, INC
1211 E. 30TH ST
SANFORD, FL 32773
(800) 282-8644
(407) 322-3672 DIRECT
(407) 322-3871 FAX
WWW.FHCUSA.COM



AFTER ASSEMBLING THE SINK SUPPORT SYSTEM,
BUILD A WALL TO INCLOSE THE SYSTEM. THE
1/4 INCH STUDS MUST PROTRUDE PAST THE
FINISH WALL A MINIMUM OF 1 INCH



FUTURE HEALTH
CONCEPTS, INC
1211 E. 30TH ST
SANFORD, FL 32773
(800) 282-8644
(407) 322-3672 DIRECT
(407) 322-3871 FAX
WWW.FHCUSA.COM



AFTER WALL IS COMPLETE, ASSEMBLE 2 SINK
SUPPORT BRACKETS AND 2 "Z" BRACKETS TO
PROTRUDING STUDS WITH HEX NUTS