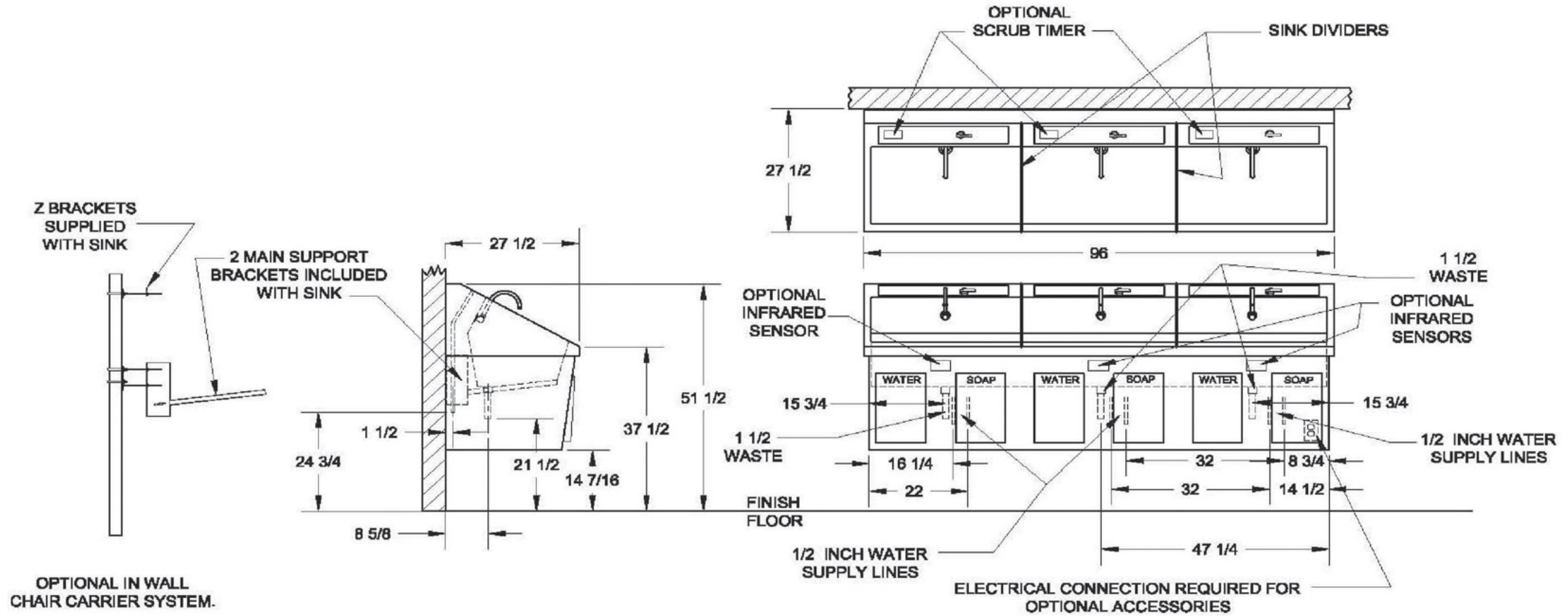
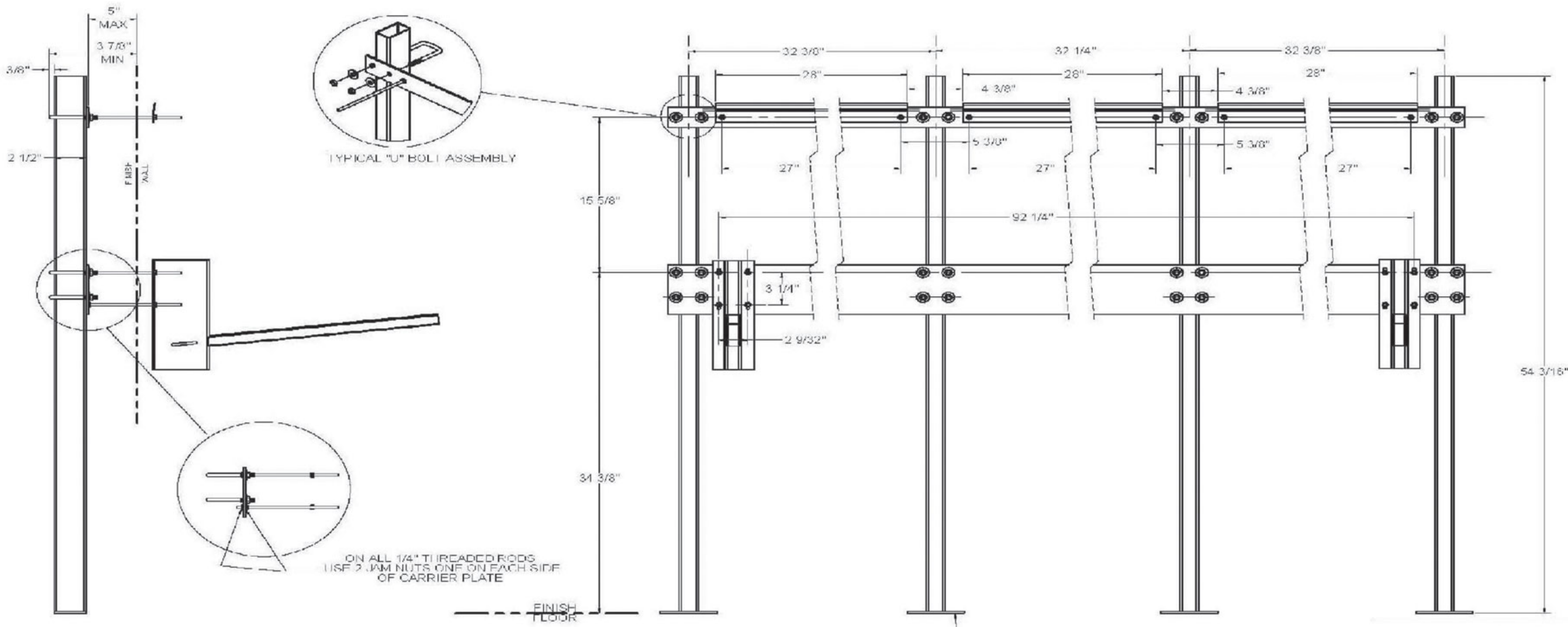




FUTURE HEALTH CONCEPTS, INC
1211 E. 30TH STREEY
SANFORD, FL 32773(
800)282-8644
DIRECT (407) 3223672
FAX (407) 322-3871





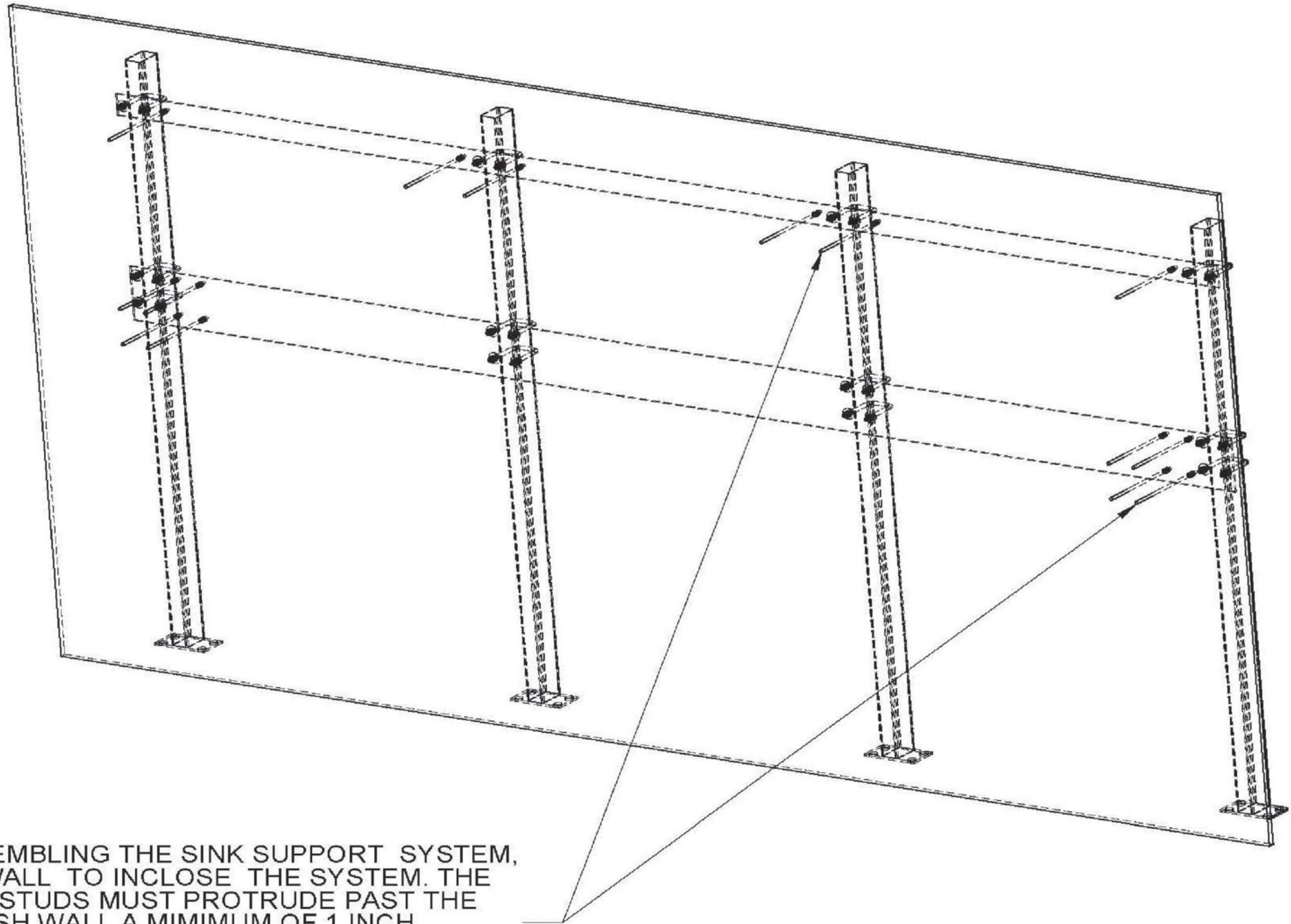
SEE FUTURE HEALTH CONCEPTS, INC. DRAWING NO. FH-1500 FOR 24" BEAM
FOR 1/2" CONCRETE ANCHORS PER POST SUPPLIED BY INSTALLER



**FUTURE HEALTH
CONCEPTS, INC**
 1211 E. 30TH ST
 SANFORD, FL 32773
 (800) 282-8644
 (407) 322-3672 DIRECT
 (407) 322-3871 FAX
 WWW.FHCUSA.COM



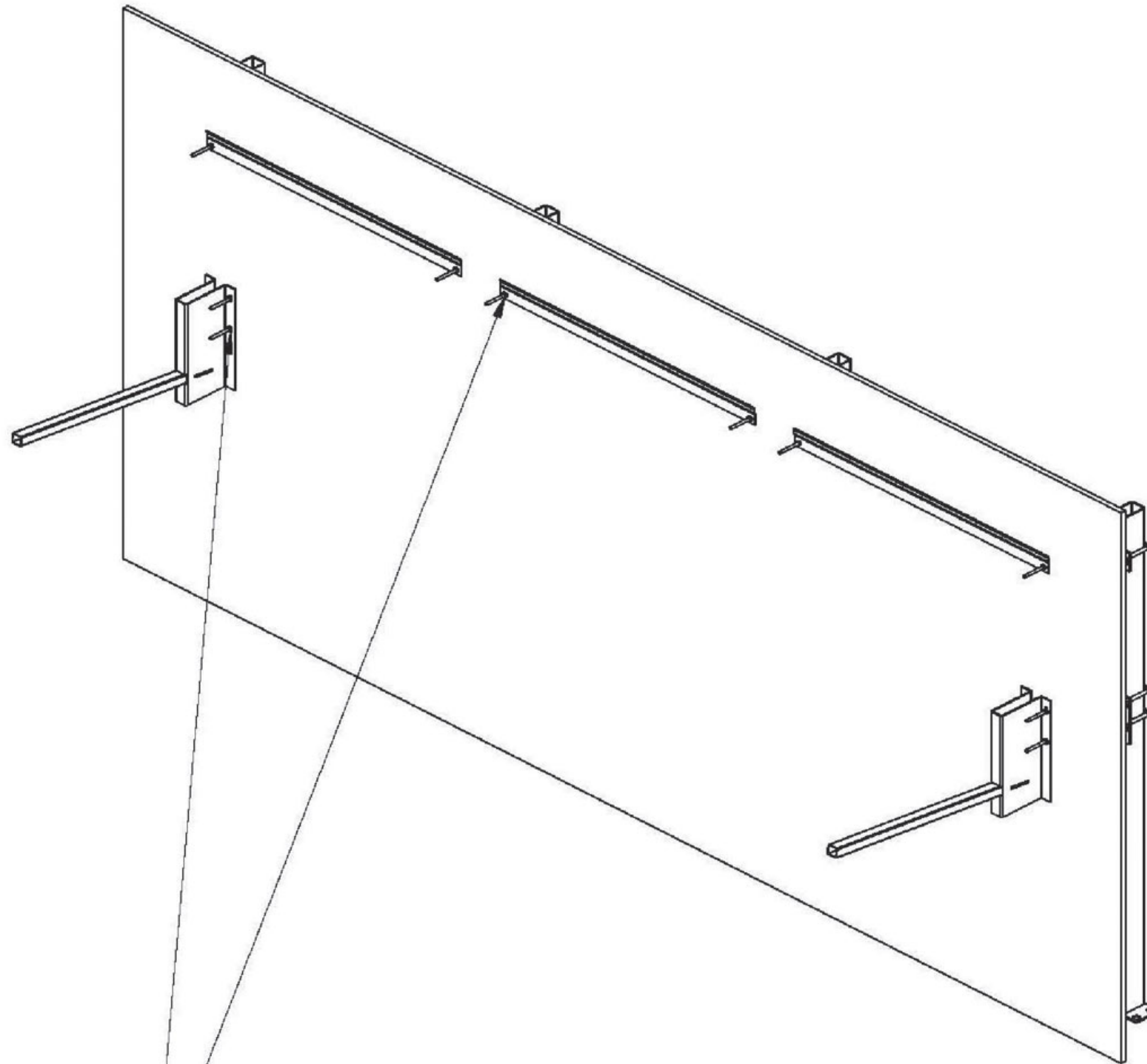
FUTURE HEALTH
CONCEPTS, INC
1211 E. 30TH ST
SANFORD, FL 32773
(800) 282-8644
(407) 322-3672 DIRECT
(407) 322-3871 FAX
WWW.FHCUSA.COM



AFTER ASSEMBLING THE SINK SUPPORT SYSTEM,
BUILD A WALL TO INCLOSE THE SYSTEM. THE
1/4 INCH STUDS MUST PROTRUDE PAST THE
FINISH WALL A MINIMUM OF 1 INCH



FUTURE HEALTH
CONCEPTS, INC
1211 E. 30TH ST
SANFORD, FL 32773
(800) 282-8644
(407) 322-3672 DIRECT
(407) 322-3871 FAX
WWW.FHCUSA.COM



AFTER WALL IS COMPLETE, ASSEMBLE 2 SINK SUPPORT
BRACKETS AND 3 "Z" BRACKETS TO PROTRUDING
STUDS WITH HEX NUTS.